

**Revel® I20/I30
Back Box**

Installation Instructions





3 Oak Park, Bedford, MA, 01730-1413 USA

Telephone: 781-280-0300

Fax: 781-280-0490

www.revelspeakers.com

Customer Service:

Telephone: 781-280-0300

Sales Fax: 781-280-0495

Service Fax: 781-280-0499

Product Shipments

16 Progress Road

Billerica, MA 01821-5730 USA

Part No. I20: 353639-00/I30: 353617-001 | Rev I | 01/05

“Revel” and the Revel logo are registered trademarks of Harman International Industries. U.S. patent numbers and other worldwide patents issued and pending.

©2005 Harman Specialty Group. All rights reserved.

This document should not be construed as a commitment on the part of Harman Specialty Group. The information it contains is subject to change without notice. Harman Specialty Group assumes no responsibility for errors that may appear within this document.



REVEL I20/I30 Back Box

Installation Instructions

TABLE OF CONTENTS

Documentation Conventions4

Important Safety Instructions4

About the Back Box6

Installation Instructions6

I20/I30 Back Box Outer Dimensions10

Obtaining Service10



DOCUMENTATION CONVENTIONS

This document contains general installation instructions for the Revel I20/I30 Back Box. It is important to read this document before attempting to use this product. Pay particular attention to safety instructions.

WARNING Calls attention to a procedure, practice, condition, or the like that, if not correctly performed or adhered to, could result in injury or death.

Caution Calls attention to a procedure, practice, condition, or the like that, if not correctly performed or adhered to, could result in damage to or destruction of part or all of the product.

Note Calls attention to information that is essential to highlight.

IMPORTANT SAFETY INSTRUCTIONS

Read Before Starting Installation

- Product contains fiberglass wool.
- Disturbing the insulation in this product during installation, maintenance, or repair will expose you to fiberglass wool. Breathing this may cause lung cancer. Fiberglass wool is known to the State of California to cause cancer.
- Fiberglass wool may also cause respiratory, skin, and eye irritation.
- To reduce exposure to this substance or for further information, consult material safety data sheets available from the address shown below, or contact your supervisor.

Harman Specialty Group
3 Oak Park Drive
Bedford, MA 01730



IMPORTANT SAFETY INSTRUCTIONS

Read Before Starting Installation

WARNING

This enclosure is not listed for use in air handling plenums. Installation of this enclosure in walls or ceilings of fire barrier rated construction require that construction methods shall be employed in order to comply with local building or life safety codes. Consult your local Authority Having Jurisdiction (Building, Electrical, or Fire Safety Inspector) to determine what acceptable construction methods will be required.

WARNING

The I20 Inwall Back Box weighs 19 lbs. (8.6kg) empty, and weighs 32 lbs. (14.52kg) with an I20 speaker system installed in it. The I30 Inwall Back Box weighs 19 lbs. (8.6kg) empty, and weighs 36 lbs. (16.3kg) with an I30 speaker system installed in it.

ANSI/EIA 636 Recommended Loudspeaker Safety Practices, Section 16.3 recommends that the mounting system used to install the Inwall Back Box in walls or ceilings should support the weight of the product plus at least four times the weight of the product being installed. That means, for an I30 installed in an Inwall Back Box, the mounting system should be able to support at least 180 lbs. (82kg).

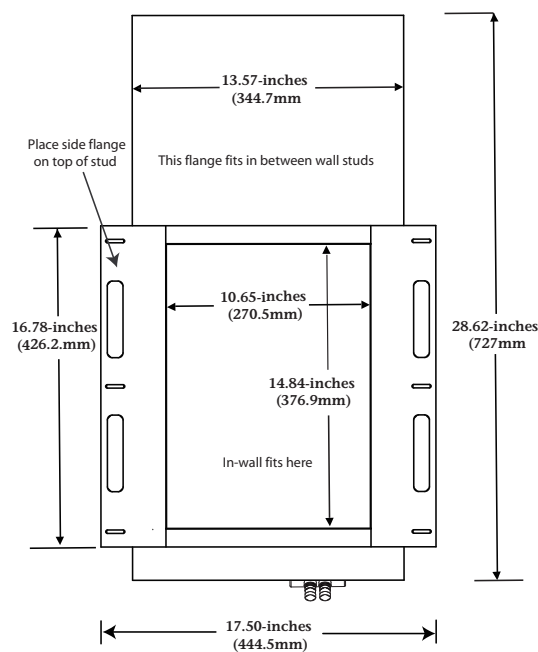
It is strongly recommended that the installer consult a construction professional or a professional engineer to determine the appropriate mounting methods to be used for each specific installation location.

About the Back Box

Thank you for purchasing the Revel I20/I30 Back Box, an optional rear enclosure for the Revel I20/I30 In-Wall Loudspeaker which provides optimum volume for woofer alignment and reduces acoustic bleed through to rooms adjacent to your listening area. The I20/I30 Back Box also functions as a mounting bracket designed to facilitate the installation of the Revel I20/I30 In-Wall loudspeakers in new construction or major retro-fit installations. The back box improves sonic performance while providing solid support for the speaker mounting frame and baffle assembly. Since the back box is installed before the drywall is mounted, it allows the speakers to be mounted in a clean, efficient manner.

The Revel I20/I30 Back Box measures 17.50 x 29.50-inches (444.5 x 749.3mm) (including the flanges). The back box is designed to mount between two 2x4-inch (or 2x6-inch) wall studs on 16-inch centers. See the illustrations below for inner dimensions.

Figure 1: I20 Back Box Height & Width



Installation Instructions

The following items are required for installation:

- tape measure
- carpenter's level
- pencil
- hammer
- nails
- drywall section
- drywall screws
- staples/U nails
- utility knife
- service wire (included)
- work gloves
- face mask

Caution

The back box should be installed by a professional. Installers must adhere to local building codes to ensure a proper installation. Harman Specialty Group is not responsible for any injury or damage caused by improper installation.

Figure 2: I30 Back Box Height & Width

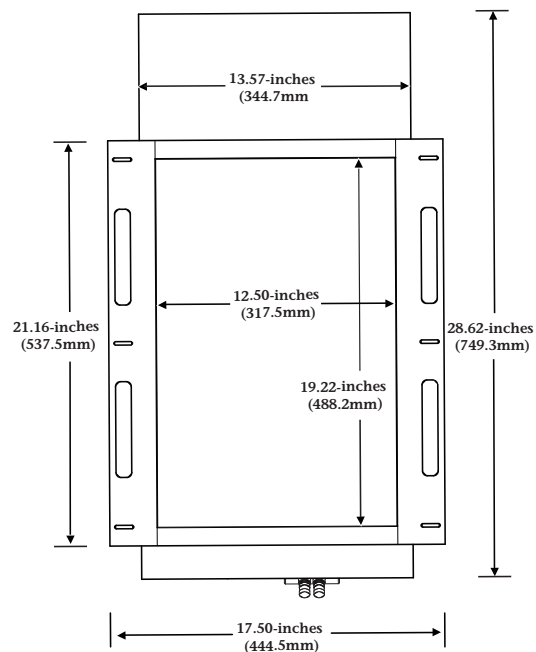
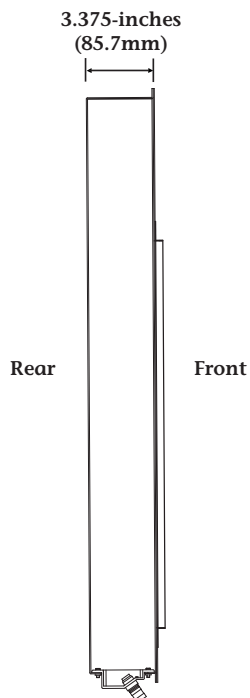


Figure 3: I20/I30 Back Box Depth



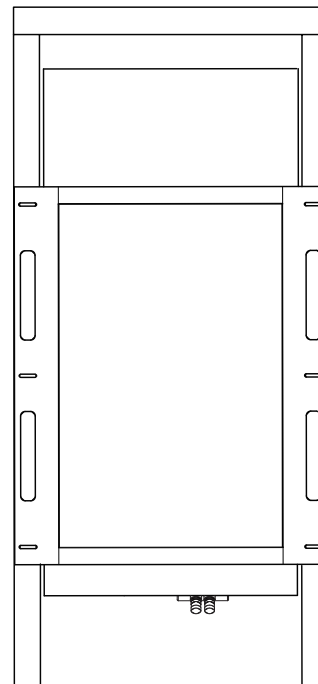
Note

Figure 3 (above) shows the depth of the back box. It can be installed in walls constructed with standard 2x4s. It is important to note that the speaker mounting frame requires a minimum depth (from the wall face to the inside back of the I20/I30 Back Box) of 3-1/2 inches (88.9mm) for proper installation. This can only be achieved by using 5/8 inch (15.9mm) sheetrock on the wall face. It is recommended the installer consult with the sheetrock installer before beginning the installation.

Caution

Installers are advised to wear work gloves and face mask when installing the back box and making wire connections, as the back box contains fiberglass.

Figure 4: Place the Back Box between Wall Studs



To install the back box:

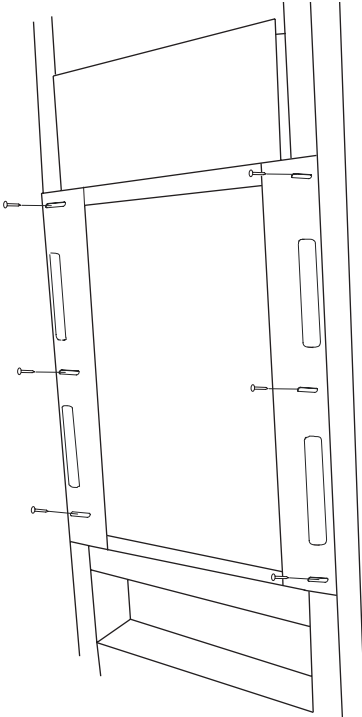
1. Use a tape measure to determine the location where the speaker is to be mounted. Refer to the Revel I20/I30 In-Wall Loudspeaker Owner's Manual for speaker placement considerations. Record exact measurements from the floor, ceiling and an adjacent dry wall section.

Note

The I20/I30 Back Box eliminates sensitivity to placement considerations due to standing waves within the wall cavity as described in the Revel I20/I30 In-wall Loudspeaker Owner's Manual.

2. Position the back box between two wall studs and into the wall cavity as shown in Figure 4 (above). The back box must be placed between standard 16-inch on-center stud spacing. If desired, the back box can be mounted upside-down if you will be mounting the speaker close to the ceiling.

Figure 5: Fasten Back Box to Wall Studs



3. Firmly secure the back box into place using nails as shown in Figure 5 (above).

Caution

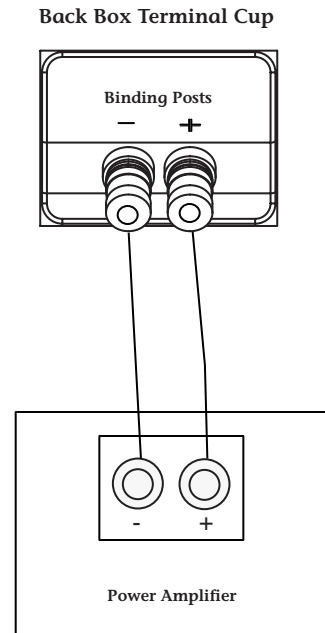
Installers must adhere to local building codes to ensure a proper installation. Harman Specialty Group is not responsible for any possible damages caused by improper installation.

4. Connect the power amplifier cables to the outside of the back box terminal cup as shown in Figure 6 (next column). Loosen the terminal connectors by hand (counterclockwise) on the terminal cup's positive (+) and negative (-) binding posts.

Note

The terminal cup can be removed from inside the back box if it is necessary to retighten the amplifier cable connections.

Figure 6: Amplifier Connections



5. Insert the amplifier wire and retighten the connectors by hand (clockwise).

When making connections, use the tie wrap mount located next to the binding posts to wrap cable ties for strain relief.

Caution

Be sure to comply with local wiring codes. Harman Specialty Group is not responsible for any damages or injuries that may result from faulty wiring.

6. Place the section of drywall over the back box. With tape measure and pencil, carefully measure and mark where to position the wall template (included with the loudspeaker) by using the measurements recorded in Step 1.
7. Use the wall template to trace where to cut the drywall.
8. Cut a small hole in the center of the template area to make sure the template is in the right location.
9. After confirming the correct location, cut the template hole opening as shown in Figure 6 (below). Use a carpenter's level to ensure the opening is level.
10. Fasten the drywall to the wall studs using drywall screws.
11. Install the speaker mounting frame into the wall opening. Refer to the Revel I20/I30 In-Wall Loudspeaker Owner's Manual for complete instructions.

Figure 6: Cut Opening in Drywall

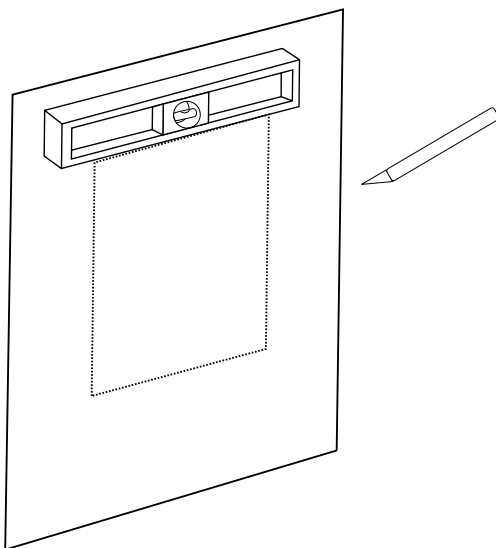
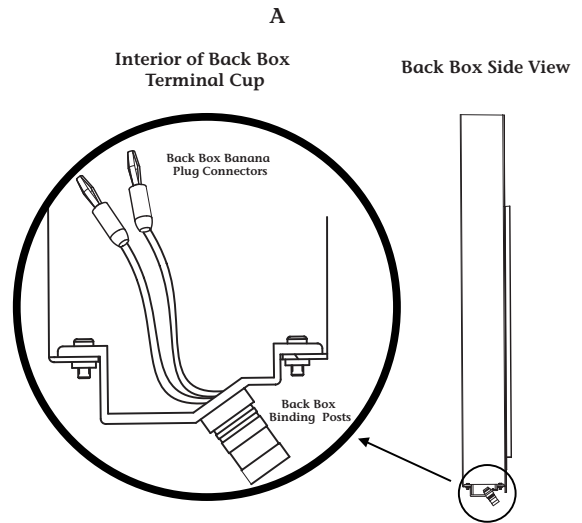


Figure 7: Back Box Terminal Cup Banana Plugs



12. The back box's banana plugs are located inside the terminal cup as shown in illustration A in Figure 7 (above). Route wires from terminal cup behind the speaker frame clamps (to prevent close proximity with the woofer basket) until they emerge at the top of the speaker frame as shown in Figure 8 (below). The banana plugs must be positioned correctly for a proper connection. Be sure to avoid contact with the speaker cone.

Figure 8: Route Terminal Cup Wires to top of the Loudspeaker

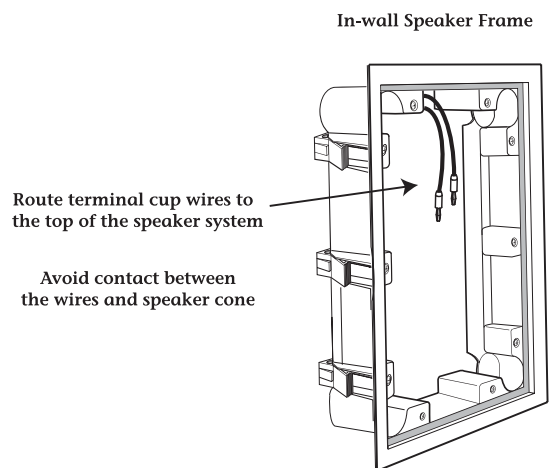
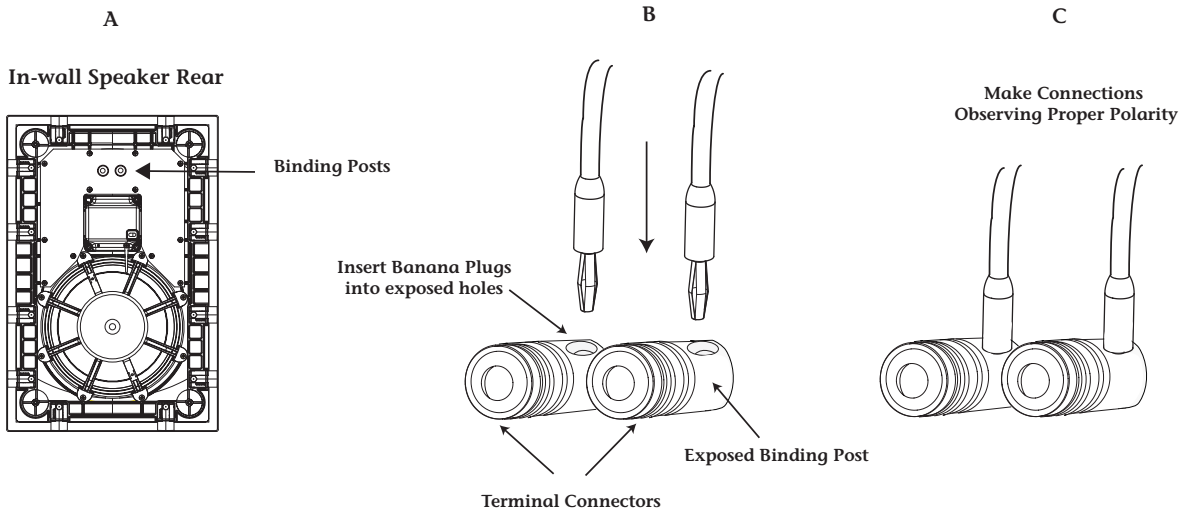


Figure 9: Speaker Connections



13. Locate the loudspeaker's binding posts as shown in illustration A of Figure 9 above. From the top of the speaker, run the terminal cup wires down to the loudspeaker's binding posts as shown in illustrations B and C above. The wires are 18-inches long. If necessary, use the extra service wire (provided).

14. Loosen the terminal connectors by hand (counterclockwise) on the binding posts until the holes in their threaded posts are visible. Insert the banana plugs from the top as shown in illustration B in Figure 9 above.

Make all connections observing the proper polarity, positive to positive (+) and negative to negative (-). The banana plugs and terminal connectors are color-coded for simple identification: red (positive) and black (negative).

15. Retighten the terminal connectors to ensure a secure connection.

16. Refer to the Revel I20/I30 In-Wall Loudspeaker Owner's Manual for complete instructions on installing the speaker baffle to complete the installation.

I20/I30 BACK BOX OUTER DIMENSIONS

Width	17.50-inches (444.5mm)
Height	28.62-inches (727mm)
Depth	3.375-inches (85.7mm)

OBTAINING SERVICE

Before returning a product for warranty or non-warranty service, contact your authorized Revel dealer.



3 Oak Park, Bedford, MA, 01730-1413 USA | Telephone: 781-280-0300 | Fax: 781-280-0490 | www.revelspeakers.com
Customer Service: Telephone: 781-280-0300 | Sales Fax: 781-280-0495 | Service Fax: 781-280-0499

harman specialty group

Part No. I20: 353639-00/I30: 353617-001 | Rev I | 01/05