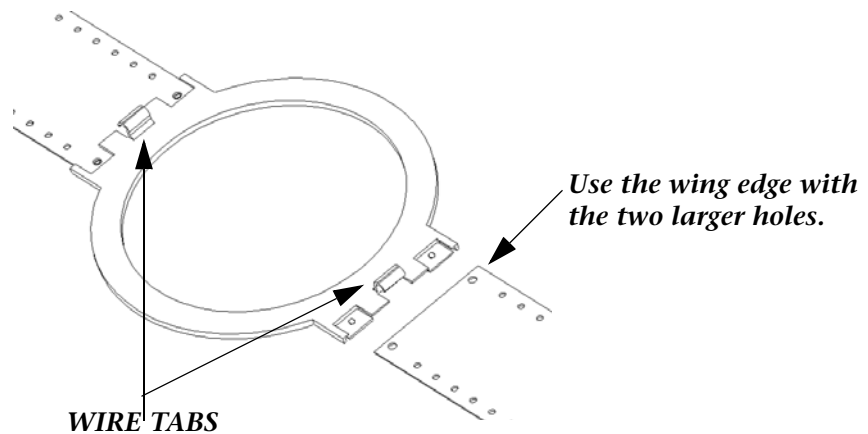


# Revel® RIB 6C/RIB 8C Rough-In Bracket

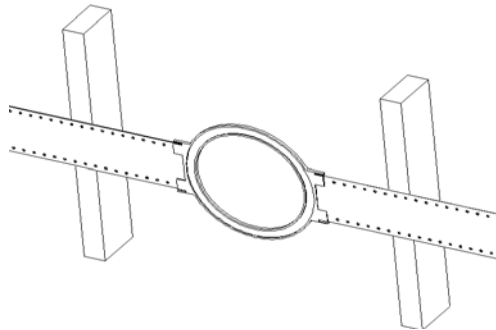
## Installation

Thank you for purchasing the Rough-In Bracket for your Revel® 6-1/2" or 8" In-Ceiling Loudspeaker. Follow the instructions below to install the rough-in bracket. Please note that the bracket installation must be done before the wall board is put up.

Step 1: Snap the two flat wing sections onto the frame as shown.



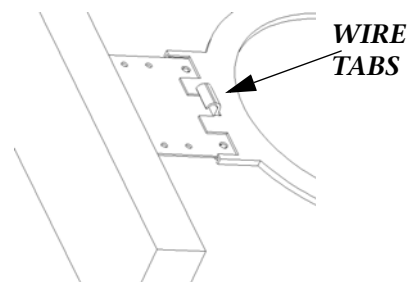
Step 2: Position the Rough-In Bracket/Wing assembly between the wall studs so that the bracket is in the correct position for the final speaker placement. Nail the assembly into place, making sure that the nail heads are as flush against the wings as possible.



Note:

Make sure that the wire tabs on the assembly are in the back, so they are on the inside of the wall.

Step 3: Use the wire tabs to hold pre-routed speaker wires in place. Ensure that no wire remains exposed on the front (wall board) side of the assembly.



Step 4: After the wall board is installed, cut out the hole for the speaker using the inside cut-out of the frame as a guide. The speaker wire can then be run through the opening in the wall board and attached to the speaker system - refer to the Owner's Manual of the loudspeaker for more information on system setup.



Harman Specialty Group  
3 Oak Park Drive  
Bedford, MA 01730-1413  
USA

Tel 781-280-0300  
Fax 781-280-0490  
www.revelspeakers.com

Customer Service  
Tel 781-280-0300  
Fax 781-280-0495 (Sales)  
Fax 781-280-0499 (Service)

Revel Part No. 406-000-05370-E | Rev 0 | 02/07  
Revel Part No. 170-0096 | Rev 0 | 02/07