



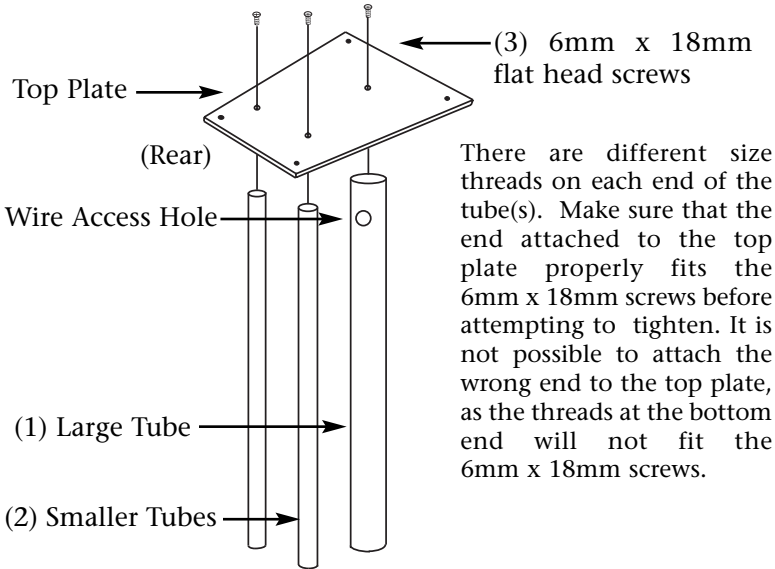
Performa Pedestal 22 Assembly Instructions



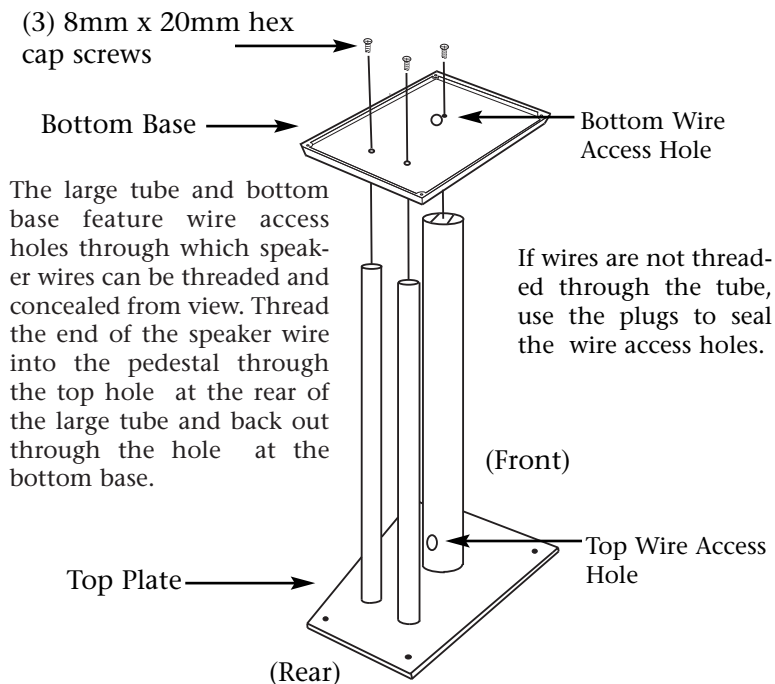
3 Oak Park Drive, Bedford, MA USA 01730-0413 | Tel: 781-280-0300 | Fax: 781-280-0490 | www.revelspeakers.com | 12/03 | Part No. 352290-001

Step 1: Locate the parts bag (packed with the stand) that contains spikes, screws, lock nuts, Allen wrench and hole plugs. Set all parts aside.

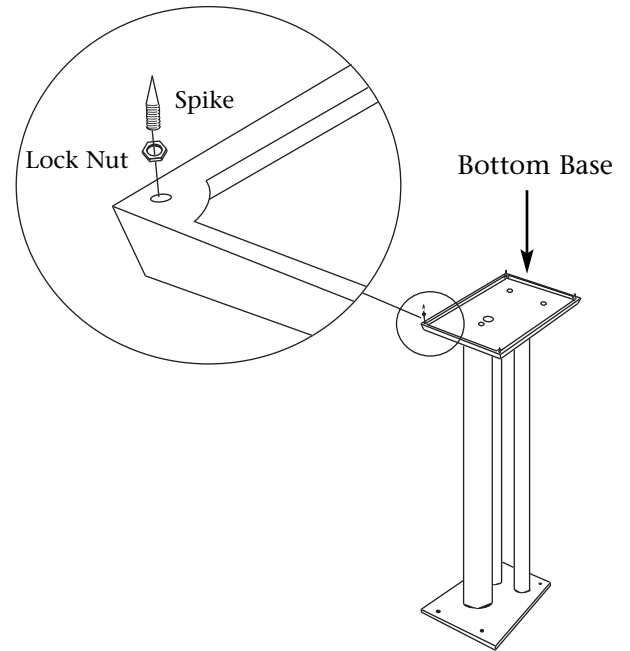
Step 2: Begin the stand assembly by fastening the three tubes to the top plate with three enclosed 6mm x 18mm Phillips flat head screws. Start all screws by hand before tightening with a screwdriver.



Step 3: Place the stand upside-down and install the bottom base with three 8mm x 20mm hex cap screws using the Allen wrench (included).



Step 4: With the stand upside-down as shown below, install the spikes (from Step 1) to the bottom of the base. Thread spikes about halfway and then use a wrench or pliers to tighten the locking nuts. Tighten all screws again after stand is fully assembled. Turn stand upright and adjust spikes if required.



Step 5: Place the Revel Performa M22 loudspeaker as shown onto a carpeted surface or a soft towel. Attach the assembled stand with four 8-32 x 3/4 Phillips flat head screws.

